



Bravoled Lighting Manufacturing Co. Ltd.

Specification of BL-PAR38-L-12x1W/ 2W/ 3W- SemiLED/ XRC/ XRE

Product Images



Size: Φ 120x 125mm

Product Highlights

- * The weight is lighter than regular aluminum extrusion bulbs by up to 50% and with excellent cooling performance.
- * Outstanding Performance
- Efficient > 80% , PF > 0.9, life span > 50,000 hours.
- * Dimmability: Compatible with Triac dimmers on market such as Lutron, Leviton, legrand, Osram, and GE etc. dimming range is from 5~100% and very stable.

Application

Desktop, Aisle, showcase, residential lighting for bedroom, studyroom, living room etc. commercial lighting for office, hotel lobby, shop, exhibition room etc.

Features

- * ITEM NUMBER: BL-PAR38-L-12x1W/ 2W/ 3W-SemiLED/ XRC/ XRE
- * BULB TYPE: High Power LED-Weight Lighter 12x1W & 12x2W & 12x3W
- * LED CHIP Q'TY: 12 pcs LED
- * BASE: E27/E26
- * LED TYPE: Semi LED/ CREE XRC/ CREE XRE
- * INPUT VOLTAGE: 85-145V AC or 190-265V AC
- * INPUT POWER: 12x1W :16.3W
 12x2W :18.8W
 12x3W :22.1W
- * OUTPUT POWER: 12x1W :13.0W
 12x2W :15.0W
 12x3W :17.7W



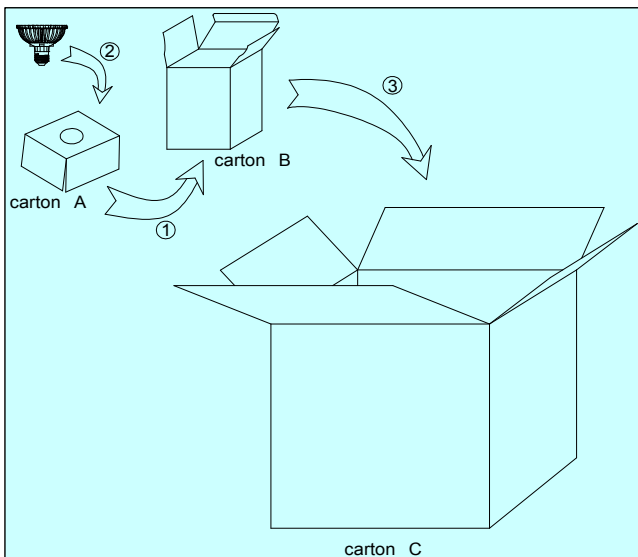
Specification of BL-PAR38-L-12x1W/ 2W/ 3W- SemiLED/ XRC/ XRE

- * TOTAL LENGTH: $\Phi 120 \times 125 \text{mm}$
- * OUTPUT CURRENT: 12x1W :320mA
12x2W :350mA
12x3W :420mA

| LUMENS: | Semi LED | CREE xRC | CREE xRE |
|---------|----------------------|----------------------|---------------------|
| 12x1W | WW 780m , CW 1,040m | WW 780m , CW 1,040m | N/A |
| 12x2W | WW:900m , CW 1,200lm | WW:900m , CW 1,200lm | N/A |
| 12x3W | WW 920lm CW 1,215lm | N/A | WW 970lm CW 1,280lm |

- * COLOR TEMPERATURE: Warm white: 2,700 ~3,500K, Cool White: 5,000~6,500K
- * DIMMING RANGE: 5%~100%
- * BEAM ANGLE: 120 degree
- * REFLECTOR EFFICIENCY: 90%
- * LIFE SPAN: >50,000 HOURS
- * BODY TEMPERATURE: <65°C
- * LED WORKING TEMPERATURE: <72°C
- * CRI: Ra> 80
- * NET WEIGHT: 350g
- * HOUSING MATERIAL: ALUMINIUM EXTRUSION
- * NO UV OR IR RADIATION

Packing Specification



Carton dimension 125x125x135cm, PACK size:24 pcs

Address: TongSheng Buidling, Shanghenlang Industrial Park, Dalang, Long Hua, Baoan, Shenzhen, Guangdong, China 518001

www.bravoled.cc