



Bravoled Lighting Manufacturing Co. Ltd.

Specification of BL-MR16-A-3x1W/ 2W/ 3W- SemiLED/ XRC/ XRE

Product Images



Size:Φ50X 55mm

Product Highlights

*** Transformer Application**

Magenatic transformer with 12~24 V AC/DC output or Electronic transformer with 12~24V DC output.

*** Outstanding Performance**

Effiecent > 80% , PF > 0.8, life span > 50,000 hours.

Application

Desktop, Aisle, showcase, residential lighting for bedroom, studyroom, living room etc. commercial lighting for office, hotel lobby, shop, exhibition room etc.

Features

- * ITEM NUMBER: BL-MR16-A-3x1W/ 2W/ 3W- SemiLED/ XRC/ XRE
- * BULB TYPE: High Power LED 3X1W & 3X2W & 3X3W MR16 Bulb
- * LED CHIP Q'TY: 3PC LED
- * BASE: GU5.3
- * LED TYPE: Semi LED/ CREE XRC/ CREE XRE
- * APPLICABLE DIMMERS: TRIAC DIMMER FOR LUTRON,LEVITON,LEGRAND,ORSAM,CE etc.
- * INPUT VOLTAGE: 12V~24V AC/ DC
- * INPUT POWER: 3X1W : 3.3W
3X2W : 4.3W
3X3W : 5.4W
- * OUTPUT POWER: 3X1W :2.7W
3X2W : 3.4W
3X3W : 4.3W



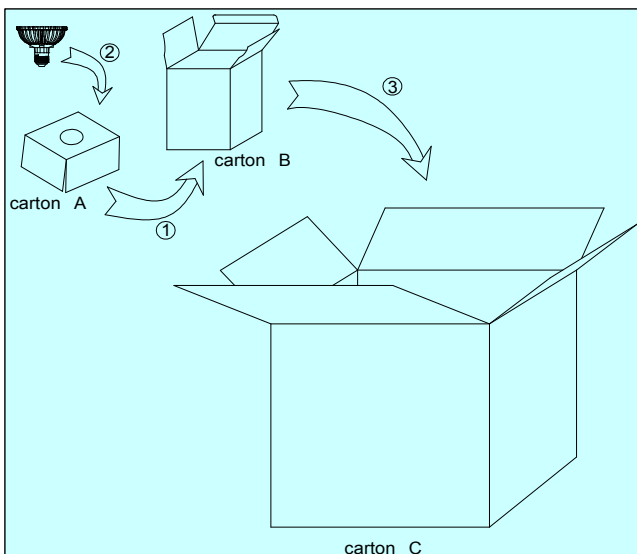
Specification of BL-MR16-A-3x1W/ 2W/ 3W- SemiLED/ XRC/ XRE

- * TOTAL LENGTH: Φ 50X 55mm
- * OUTPUT CURRENT: 3X1W :320mA
3X2W :340mA
3X3W :400mA

LUMENS:	Semi LED	CREE XRC	CREE XRE
3X1W	WW:180m , CW:240m	WW:180lm , CW:240lm	N/A
3X2W	WW:205m , CW:280lm	WW:205lm , CW:280lm	N/A
3X3W	WW:250lm , CW:315lm	N/A	WW:260lm , CW:330lm

- * COLOR RANGE: 2,700~6,500K
- * DIMMING RANGE: 10%~100%
- * BEAM ANGLE: 8/15/30/45/60/90degrees
- * REFLECTOR EFFICIENCY: 90%
- * LIFE SPAN: >50,000 HOURS
- * BODY TEMPERATURE: <65°C
- * LED WORKING TEMPERATURE: <72°C
- * CRI: Ra> 80
- * NET WEIGHT: 70g
- * HOUSING MATERIAL: ALUMINIUM EXTRUSION
- * NO UV OR IR RADIATION
- * CERTIFICATION: CE, ROHS.

Packing Specification



Carton dimension 55x55x60mm, PACK size:100 pcs