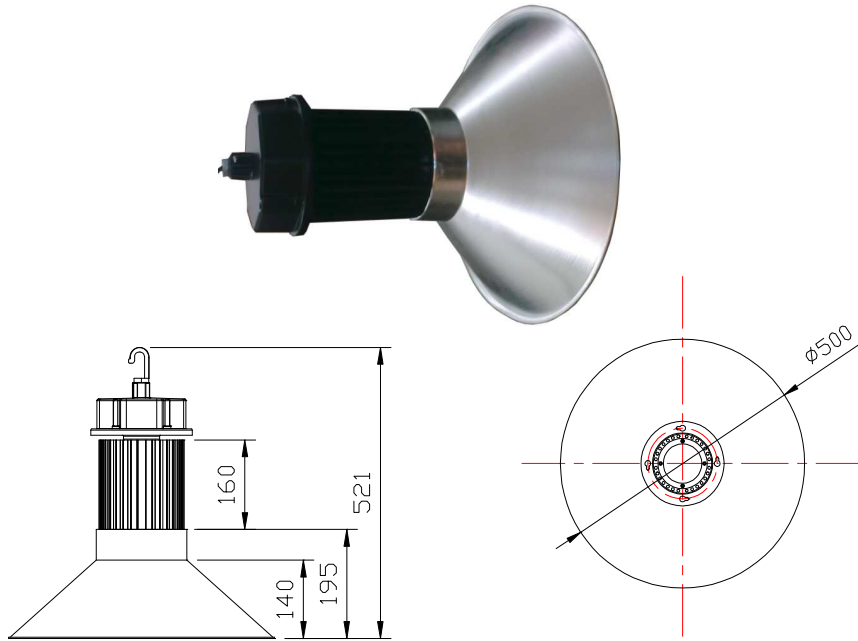


## Specification for LED Industrial Light



Unit:mm

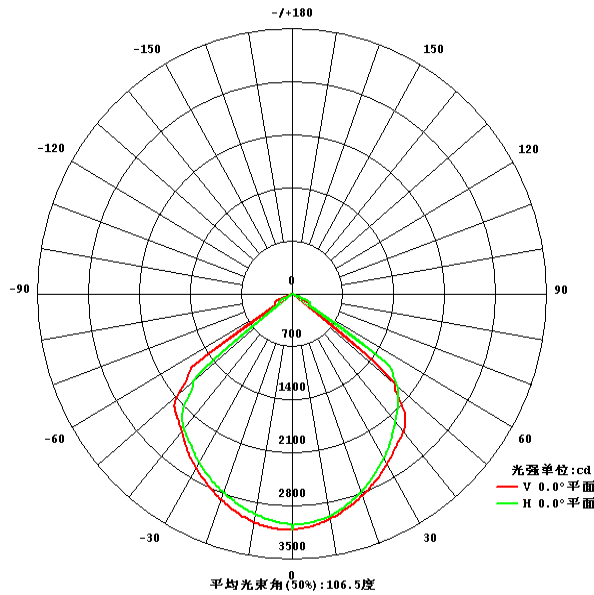
1. Uses single powerful SMD LED (30W/50W/70W/100W) as light source, which generates constant and high brightness lighting.
2. High performance of heat dissipation, life span is at least 50,000 hours
3. Outdoor application, IP65 qualified
4. Energy saving, compared with traditional sodium lights, it can save electricity more than 70%
5. No glare; no abrupt and frequent flashes.
6. No delay start; no waiting. It can reach its normal light as soon as it is turned on, not require long time start process of traditional lights
7. Environment friendly. Not contains lead, hydrargyrum, and any other contamination, no pollution to air
8. Application: Workshops, factories, storehouses, toll stations, gas stations, supermarkets, exhibition halls, gymnasiums

Item Number	BL-IL-465-30W	BL-IL-465-50W	BL-IL-465-70W	BL-IL-465-100W
Description	LED Industrial Light			
input Voltage:	AC85~265			
Frequency Range	50Hz~60Hz			
Total Harmonic Distortion	< 9%			
Power Factor	>0.90			
LED working Voltage	DC30~36V			
LED	1 pc Bridgelux SMD LED source			
system Consumption	36W	58W	79W	106W
LED consumption	30W	47W	65W	92W
LED luminous Efficiency	75~90 lm/W			
LED initial Flux	WW (2,700~3,900K):1,940lm PW(3,900~6,000K) 1,980lm CW(6,000~7,000K) :2,080	WW (2,700~3,900K):3,230lm PW(3,900~6,000K) 3,290lm CW(6,000~7,000K) :3,400lm	WW (2,700~3,900K):4,530lm PW(3,900~6,000K) 4,600lm CW(6,000~7,000K) :4,780lm	WW 6,800 lm PW 6,900 lm CW 7,200 lm
Beam Angle	90 degree			
Lamp efficiency	>75%			



## Specification for LED Industrial Light

Average illuminance	Height of 4 mete: 30.5 lux Height of 6 mete: 15.6 lux Height of 8 mete:8.6 lux	Height of 4 mete: 49.8 lux Height of 6 mete: 25.5 lux Height of 8 mete: 14.2 lux	Height of 4 mete:70.1 lux Height of 6 mete: 35.1 lux Height of 8 mete: 19.8 lux	Height of 4 meter: 98.2 lux Height of 6 mete: 49.9 lux Height of 8 mete: 28.2 lux
illuminance Area	Height of 4 meter: Φ7.1 M Height of 6 meter:Φ 10.3 M Height of 8 meter: Φ 13.2M			
Illuminance uniformity	>0.5			
Color temperature	2,700~7,000 K			
Color Rendering Index	WW: Ra>68, PW,CW: Ra>75			
Light Distribution	sysmmetric/ circle			
Junction Temperature	<80 °C			
Operation temperature	from -40 °C to + 55°C			
IP grade	IP65			
Life Span	at least 50,000 hours			
Connect Wire	L/N/G			
Housing Material	Aluminum			



Product Size:	Φ500X 521 H mm
Product Weight:	6.2 kg
pack size	1pcs/ Carton
Carton Size	510LX 530WX 530H mm
Gross Weight / Carton	7.5 kg

